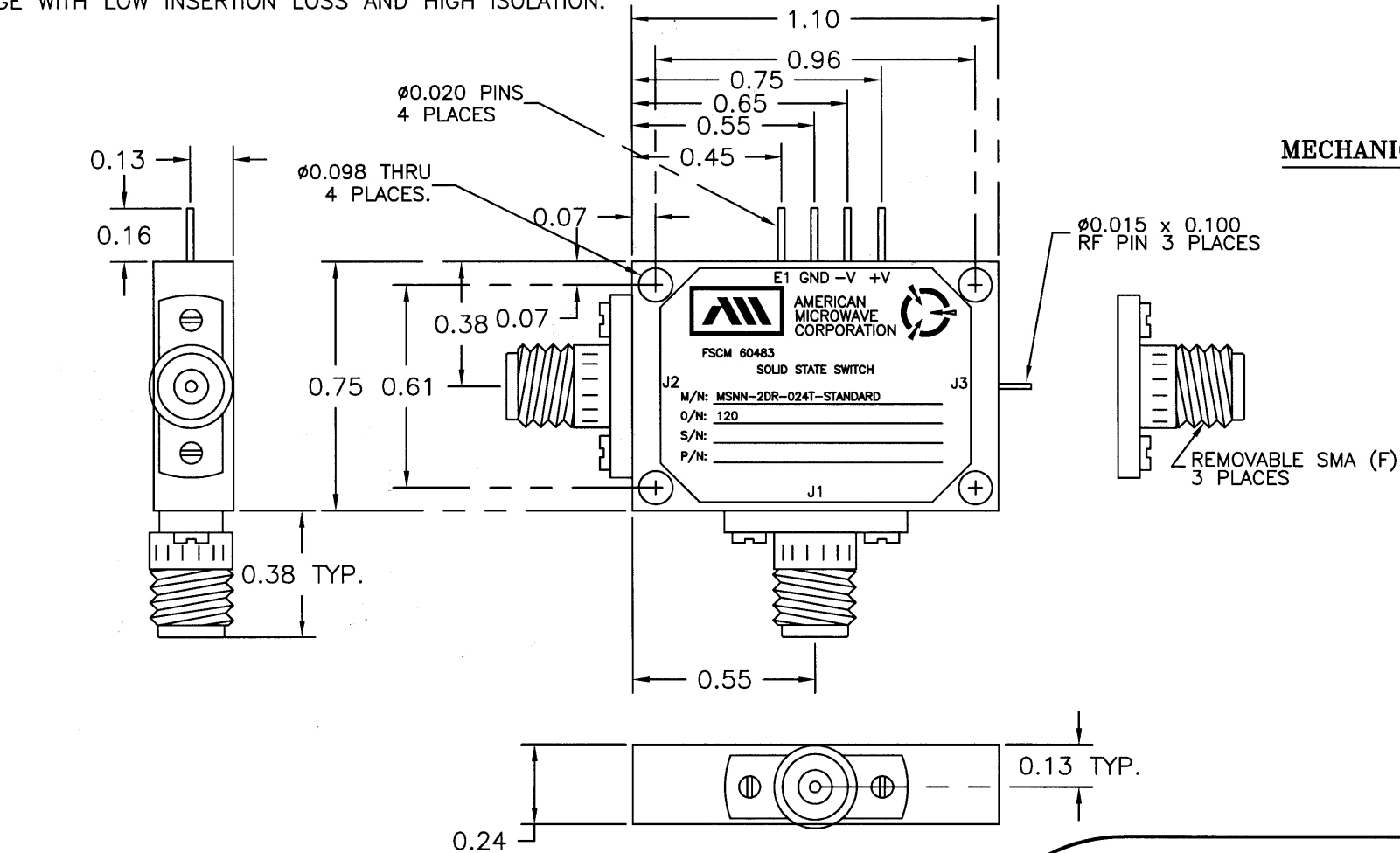


# DESCRIPTION

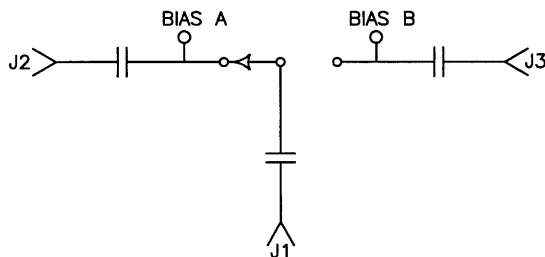
AMC MODEL MSNN-2DR-024T-STANDARD OPTION: 120 IS A REFLECTIVE SINGLE POLE TWO THROW SWITCH DESIGNED TO OPERATE OVER THE FULL 1 TO 20 GHz FREQUENCY RANGE WITH LOW INSERTION LOSS AND HIGH ISOLATION.

ZONE		REV.	DESCRIPTION	DATE	APPROVED
-			ORIGINAL RELEASE JOB# 411258X	1/24/05	

## MECHANICAL OUTLINE



### BLOCK DIAGRAM



ALL DIMENSIONS ARE IN INCHES  
 TOLERANCES:  
 X.XX ±0.020  
 X.XXX ±0.010

## AMERICAN MICROWAVE CORPORATION

7311-G GROVE ROAD  
 FREDERICK, MARYLAND 21704 USA  
 TEL: 301-662-4700 FAX: 301-662-4938  
 WEBSITE: [www.americanmicrowavecorp.com](http://www.americanmicrowavecorp.com)  
 E-MAIL: [sales@americanmicrowavecorp.com](mailto:sales@americanmicrowavecorp.com)  
 ISO 9001:2000 CERTIFIED



APPROVALS		DATE	TITLE			REV.
DRAWN <i>JDJ</i>		1/24/05	MECHANICAL OUTLINE MSNN-2DR-024T-STANDARD OPTION:120			-
CHECKED			SIZE	FSCM NO.	DWG NO.	
ISSUED			A	60483	100-7301	
SCALE N:S			SHEET		2 OF 3	

